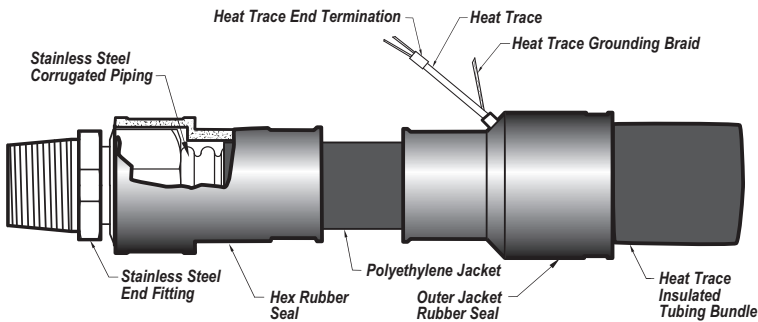


DEF-Trac[®]

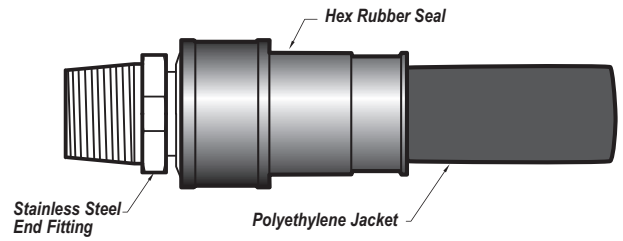
Specification Sheet

with simplified Rubber Seals

Insulated End Configuration



Un-Insulated End Configuration

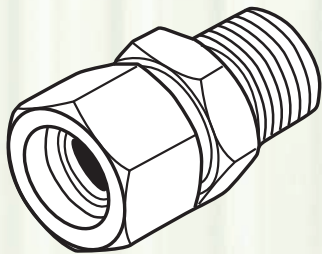


CAUTION NOTE: MANDATORY GFI EPD CIRCUIT BREAKER PER NEC ARTICLE 427-22, ALL HEAT TRACING CIRCUITS MUST HAVE GFI-EQUIPMENT PROTECTION ON THE CIRCUIT. IN THIS SYSTEM, THE HEATER CABLE MUST BE POWERED FROM AN EPD (30MA GFI TRIP) TYPE CIRCUIT BREAKER.

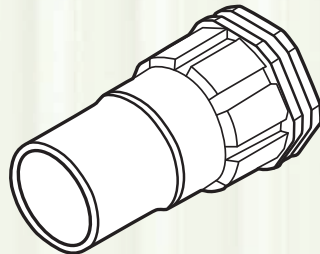
NOTE: MAXIMUM CIRCUIT LENGTH IS 200 ft.

DEF-Trac[®] End Fittings

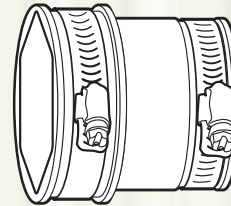
| Description | Size | Part No. |
|----------------------------------|------|-----------|
| SS Field Attachable - 1" NPT | 1" | DF-FST-16 |
| SS Field Attachable - 1-1/2" NPT | 1½" | DF-FST-24 |
| SS Field Attachable - 2" NPT | 2" | DF-FST-32 |



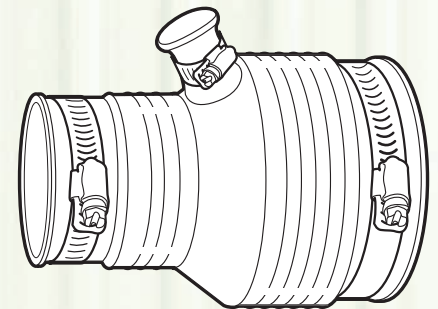
1" SS Fitting



Bulkhead Entry Fitting



NEW Hex Rubber Seal

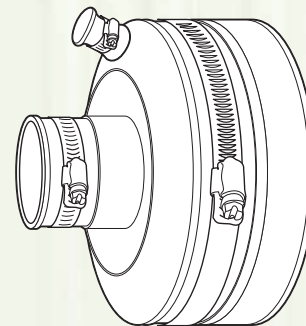


NEW Outer Jacket Rubber Seal

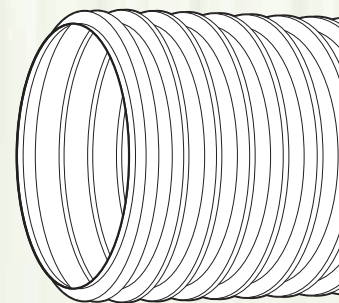
DEF-Trac[®] Accessories

| Description | Size | Part No. |
|--|----------|---------------|
| 1" & 1½" Bundle Bulkhead Entry Fitting | 1" & 1½" | DF-FAK-9L |
| 2" Bundle Bulkhead Entry Fitting | 2" | DF-FAK-9LX |
| DEF-Trac Boot Pipe / Nut | All | DF-BTNP-xxKT* |
| DEF-Trac Boot Pipe / Bundle | All | DF-BTHP-xxKT* |
| DEF-Trac Boot Pipe / Ducting | All | DF-BTHD-xxKT* |
| 4" Heavy Duty Corrugated Ducting | 4" | UGF-CP-4 |
| Tubing Cutter | All | UGF-TC-152 |
| Spare Wheel for Tubing Cutter | All | UGF-E-5272 |
| Leak Check Solution | All | UGF-LCS |

*xx replaced by 16, 24, 32



NEW 4" Rubber Seal



NEW 4" Ducting

See the DEF-Trac price sheet for a complete list of DEF-Trac accessories, including Thermon heat trace accessories.

For additional information, please contact your manufacturer's representative or visit our website:

WWW.DOUBLETRAC.NET

OMEGA FLEX, INC.

451 Creamery Way, Exton PA 19341

1-800-671-8622 Fax: 610-524-7282



ISO 9001
OM-SAI Global

